

nom

CHEMICAL FREE
Air Purifier



USER MANUAL

Warning: Please read this User Manual before installation and use of the product. Do not spill or pour water on the product. Please Power Off the unit when performing maintenance or cleaning the product. The plastic bags included with this product should not be used as a toy. Please ensure plastic bags are kept away from babies and children to avoid potential harm.

IMPORTANT SAFETY INSTRUCTIONS

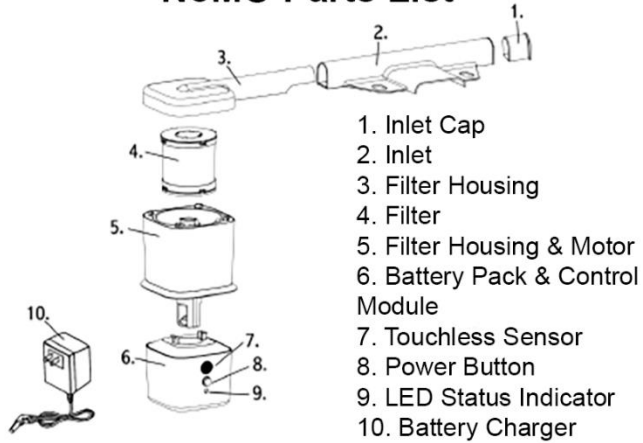
This electrical appliance must always be used according to the following safety instructions. Save these instructions as this manual contains important safety and operating information. When using an electrical appliance, basic pre-cautions should always be followed, including the following:

READ ALL INSTRUCTIONS CAREFULLY BEFORE INSTALLING AND USING NoMO

WARNING: To reduce the risk of fire, electric shock or injury:

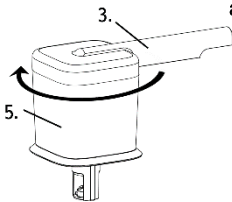
1. Always turn NoMO OFF prior to recharging or servicing the unit
2. Do not let the NoMO be used as a toy. Close attention is necessary when used near children.
3. Do not handle the plug or NoMO with wet hands.
4. Do not expose NoMO to rain.
5. Do not expose the NoMO to flammable or combustible liquids, such as gasoline. Do not use NoMO in areas where these liquids may be present.
6. Do not expose the NoMO to burning or smoking materials, such as cigarettes, matches or hot ashes.
7. Keep hair, loose clothing, and all parts of the body, especially fingers, away from NoMO openings and moving parts.
8. Do not put any objects into a NoMO openings, or use with any openings blocked or plugged.
9. Use the NoMO only as described in this User Manual.
10. If the NoMO is not working properly, email support@nomonow.com for instructions where to send for repair. Do not attempt to repair, as it will invalidate your warranty.
11. When cleaning the outside of NoMO, wipe with a damp cloth to reduce the static electricity on the outer surface.

NoMO Parts List

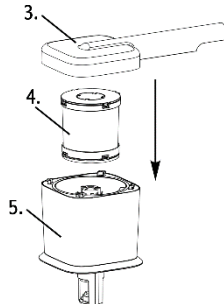


NoMO Canister Assembly Instructions

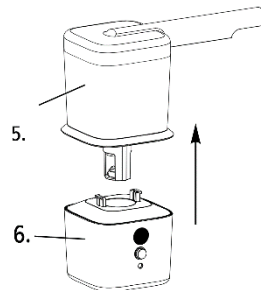
1. Twist to remove Filter Housing Lid(3.) from Filter Housing(5.).



2. Insert filter(4.) into Housing(5.) and replace Filter Housing Lid(3.).



3. Attach Battery Pack(6.) to Housing(5.).

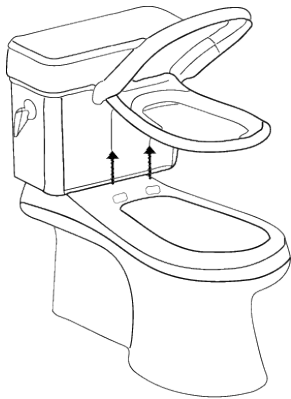


MOUNTING THE NoMO

1. Remove your toilet seat to expose the two bolts on top of the bowl and place in the inlet (2) as shown in Figure 1.
2. Replace the seat on top of the inlet and slide assembled NoMO into the side of the mounting inlet as shown in Figure 2.

*NoMO can be installed on either side of the toilet. To switch sides, twist and remove the filter-housing lid (3), turn 180 degrees (ensuring the power button is facing forward) then re-attach. After this step is complete remove the inlet cap (1) from the side of the inlet (2) and place on the opposite side.

Figure 1



MOUNT NoMO

Figure 2



OPERATING INSTRUCTIONS

NOTE: NoMO is an always on appliance and offers two operational modes:

Manual or Infrared

1. **Manual Mode** - To activate in MANUAL Mode, press the Power Button and this will activate NoMO for its 2-minute power cycle. You can initiate additional power cycles by pressing the Power Button at the end of a cycle.
2. **Infrared Mode** - To select Infrared or Touchless Mode, press and hold the Power Button down for 2 seconds (The red LED will blink twice). The green LED will blink every 5 seconds confirming Touchless Mode is selected. To activate in Touchless Mode, wave your hand within 3-5 inches of the Sensor window above the Power Button and the sensor will activate NoMO for its 2-minute power cycle. You can initiate additional power cycles by waving your hand near the Sensor Window at the end of a cycle.
3. **Battery Life & Re-Charging** - When NoMO battery life is at 15%, NoMO will automatically revert to Manual Mode and the red LED will illuminate every 5 seconds. This indicates you should re-charge the battery. To recharge NoMO you either remove the battery pack and charge separately or charge directly on mounted NoMO. When the NoMO battery life is 5%, NoMO will no longer activate. To charge, connect NoMO to an outlet with the NoMO Charging Cord. Do not remove the charging source until the solid green LED light shines, indicating charging is complete. Charging time is around 6 hours for full charge. Full charge lasts 2 months of normal use.



REPLACING THE ACTIVE CARBON FILTER

NoMO's Complex Activated Carbon Filter is guaranteed for life. However, if a replacement Filter is ever needed, one will be provided upon request and payment of the shipping and handling charges. For support, please email us at support@nomonow.com.

IMPORTANT! NEVER OPERATE THE NoMO WITHOUT THE ACTIVE CARBON FILTER INSIDE THE FILTER CANISTER.

SERVICE

If there are any abnormal conditions or questions during use, please contact us directly at support@nomonow.com for assistance.

NOMO ONE YEAR LIMITED WARRANTY

What is covered: JPauJones, LP warrants to the first retail purchaser of this NoMO that should this product or any part be proved defective in materials or workmanship from the date of proof of purchase for a period of one (1) year, then it will be subject to the terms of this one-year Limited Warranty. Such defects will be replaced or credit issued at JPauJones, LP's option, without charge for parts or labor directly related to the defect.

Limitations and Exclusions: This warranty gives you specific legal rights and you may also have other rights which vary from state to state. This Limited Warranty does not apply to any cost incurred for removal or re- installation, or to any product or part thereof which has suffered through normal wear and tear, alteration, improper installation, physical abuse, misuse, neglect or accident. Nor does it cover defects caused by shipment to, or repair or service of the product by anyone other than a NoMO authorized service representative. Damage resulting from an act of God, including but not limited to fire, flood, earthquake and other natural causes will be excluded. This Limited warranty is in lieu of all other warranties, express or implied either in fact or by operations of law, statutory or otherwise, including, but not limited to any implied warranty of merchantability or fitness for a particular use. This Limited Warranty does not authorize any other person to assume any liability beyond the warranty herein described. JPauJones, LP shall not be liable for incidental, inconsequential, indirect, special or punitive damages of any kind from the use of this product, whether based in contract or tort. In no event shall JPauJones, LP be liable for damage in excess of the purchase price.

Filter Replacement: NoMO's Complex Activated Carbon Filter is guaranteed for life. Replacement filters can be ordered at www.nomow.com free of charge, you pay only shipping and handling.

Questions or Support: <https://nomonow.com/connect/> or email support@nomonow.com

©2016 All rights reserved, NoMO & JPauJones logos and all other marks contained herein are trademarks of JPauJones, LP and NoMO Intellectual Property.

NoMO is a product of:
No More Odor, Inc.
NoMO is distributed by:
JPauJones, LP
7500 Rialto Blvd, Suite
122 Austin, Texas
78759
support@nomonow.com
www.nomonow.com